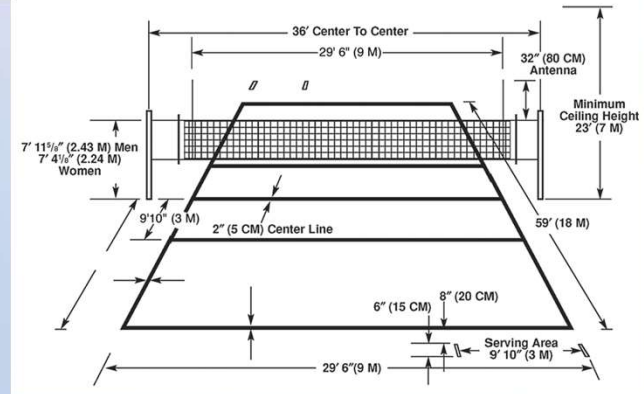




RULE 2 – THE COURT

What You Need To Know

THE COURT AND MARKINGS



- There shall be at least 6 feet of unobstructed space outside the boundary lines
 - Special rules apply if this is not the case
- Boundary lines
 - End lines – short side of court along serving area
 - Sidelines – long side of court
- Other lines
 - Center line – 2 inches wide, separates the court into two equal playing areas
 - Solid or shadow-bordered
 - Continuous
 - Attack line – stretches from sideline to sideline and is 10 feet from the centerline in each playing area

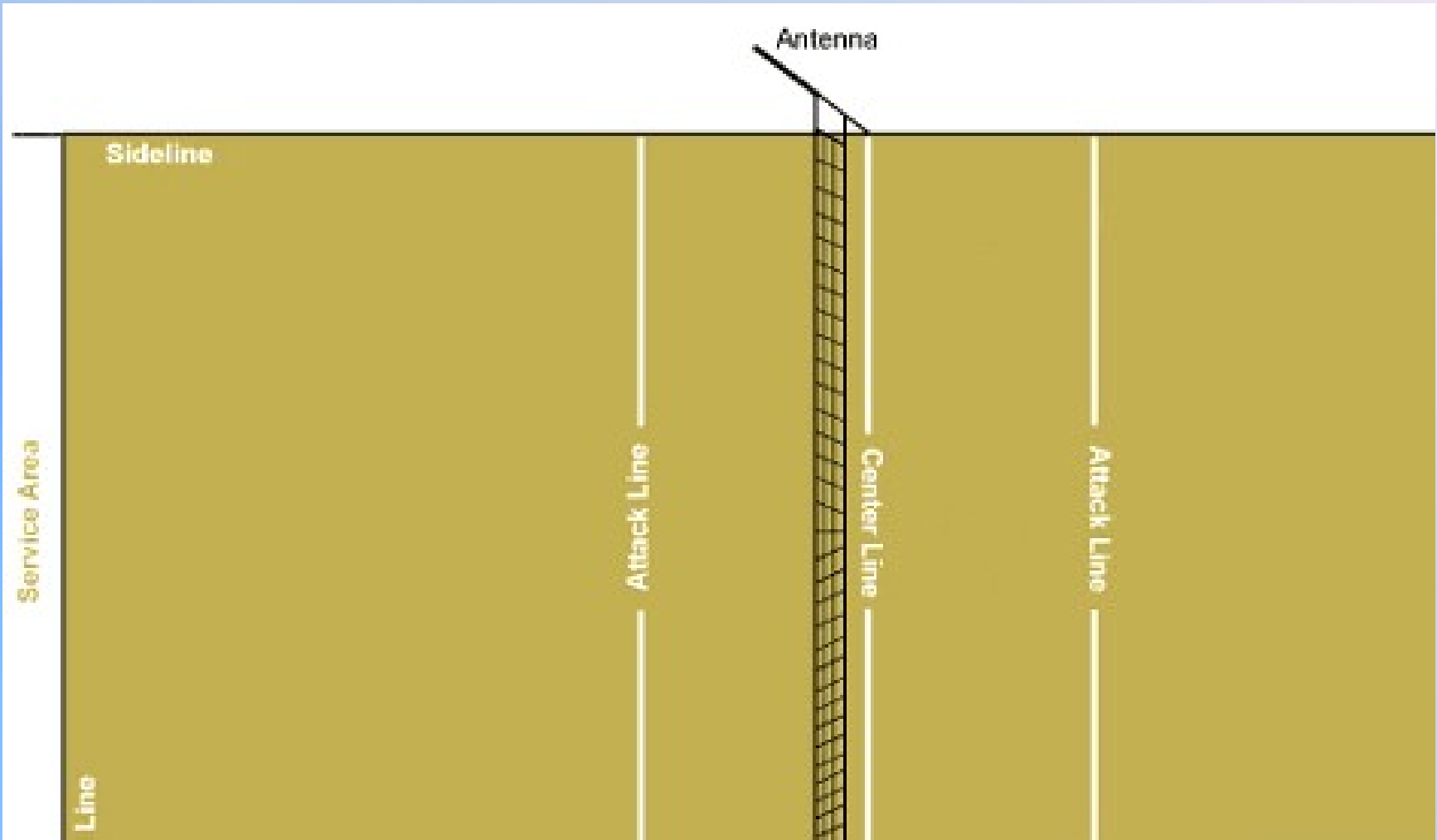


THE COURT AND MARKINGS

- Serving Area – behind and excluding the end line
 - It shall be laterally limited by two short lines
 - Perpendicular to the end line
 - Extensions of the sideline
 - Included in the width of the serving area
 - Shall be a minimum of 6 feet in depth
 - If that space is not available,
 - the serving area shall extend into the court to whatever distance necessary to provide the minimum depth
 - And be so marked
- Substitution Zone – area near the sideline between the attack line and center line
- Replacement Zone – area near the sideline between the attack line and end line
- The court and adjacent playable area must be flat, smooth and free of obstructions other than required equipment and padding



THE COURT



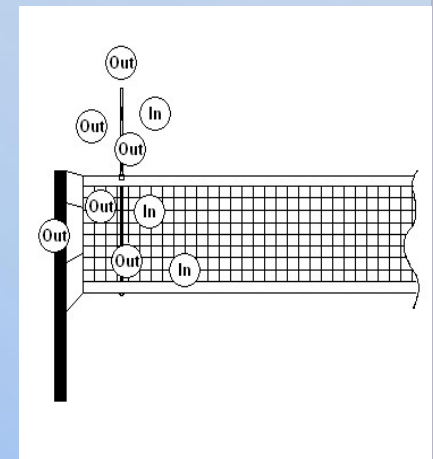
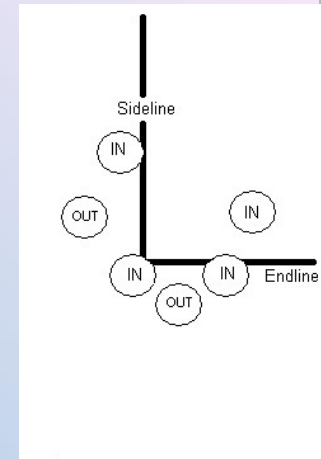
PLAYABLE OVERHEAD OBSTRUCTIONS

- A ball striking the ceiling or an overhead obstruction above a playable area shall remain in play, provided:
 - The ball contacts the ceiling or obstruction on the side of the net extended that is occupied by the team that last played the ball
 - And the ball is legally played next by the same team
- Examples of common overhead obstructions
 - Raised basketball backboards
 - Banners
 - Cables
 - Roof beams



OUT OF BOUNDS

- A ball is out of bounds and becomes dead when it TOUCHES:
 - A wall or objects mounted flush with a wall
 - The floor completely outside the court's boundary lines
 - The net antennas or does not pass over the net entirely between the net antennas
 - The net cables or net not completely inside the antenna, net supports or referee's platform
 - A nonplayer who is not interfering with a player's legitimate effort to play the ball
 - The ceiling or overhead obstructions after the third hit
 - The ceiling or overhead obstructions and then directly crosses the vertical plane of the net and its out-of-bound extensions
 - The ceiling or overhead obstructions beyond the vertical plane of the net and its out-of-bound extensions
 - (Or enters from the direction of the court) a nonplayable area beyond the legal reach of a player, or adjacent courts scheduled for play
 - Any part of a backboard or its supports hanging in a vertical position, over a playable area if it is a served ball
 - Any part of a backboard or its supports if in the judgment of the referee the ball would not have remained in play if the backboard had not been there



RESTRICTED PLAY



- A Referee shall stop play when:
 - A wall, floor obstacle, nonplayable area or nonplayer interferes with a player's legitimate effort to play the ball
 - A player gains an illegal advantage by contacting any floor obstacle, wall or another player
 - It is necessary to prevent player injury from contact with obstacles or walls
 - The ball contacts any part of a backboard or its supports which is hanging in a vertical position over a playable area
- A player may play a ball over a nonplayable area if the player has a body part in contact with a playable area at the time the ball is contacted
 - **Exception:** When competition is scheduled to occur on adjacent courts, no player or ball may enter or break the plane of the adjacent court before, during or after playing the ball.



PENALTIES

- Out of bounds – Loss of rally/point is awarded to the opponent
- Restrict play
 - When a wall, floor obstacle or nonplayable area that is less than 6 feet from a boundary line causes play to end – a replay is declared provided the player had a legitimate play on the ball
 - When a nonplayer causes the play to end – a replay is declared provided the player had a legitimate play on the ball
 - When the ball would have remained in play had the vertical backboard not been over the playable area (referee judgment) – a replay is granted
 - In all other situations – a loss of rally/point is awarded to the opponent

